



INSTALLATION GUIDE FOR

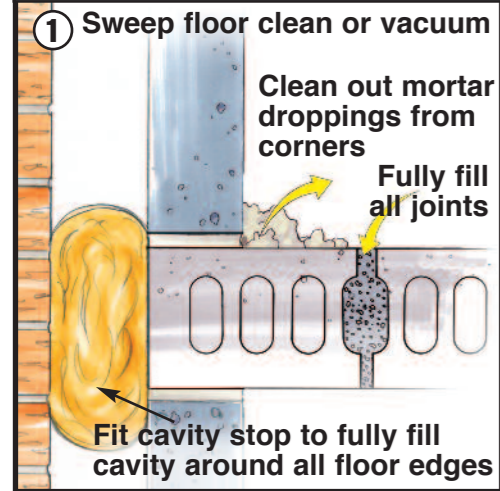
Isorubber™

WITH UNDERFLOOR HEATING

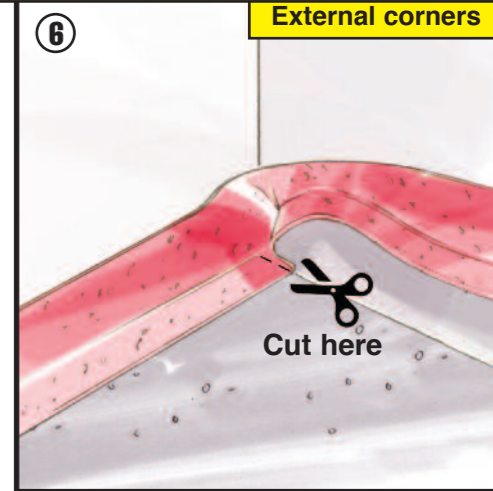
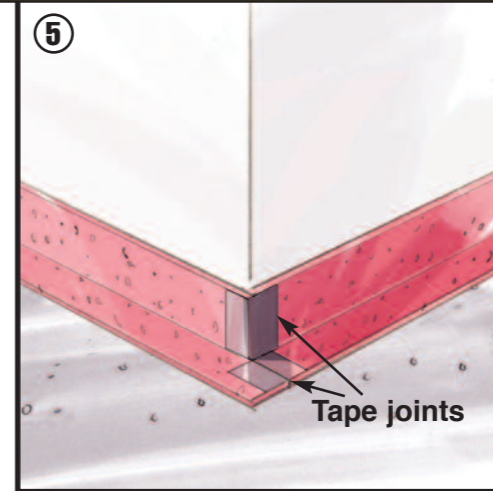
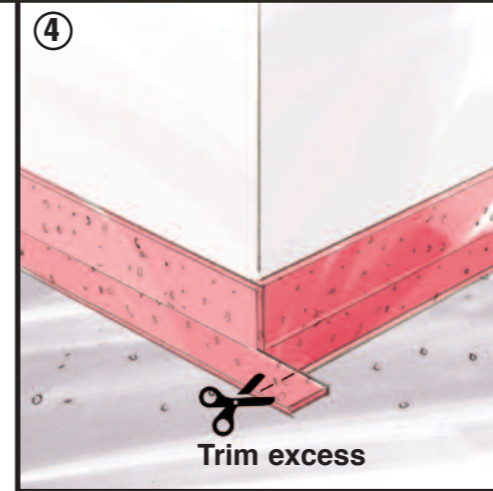
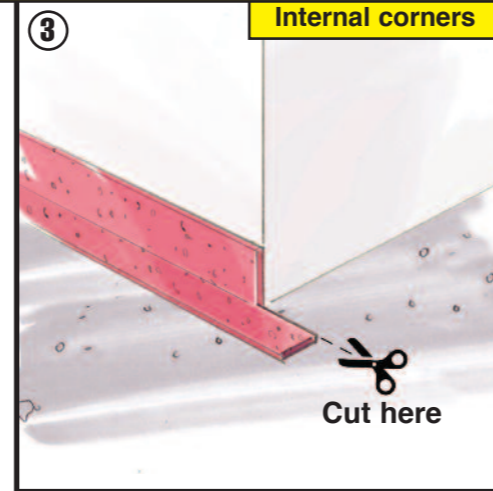
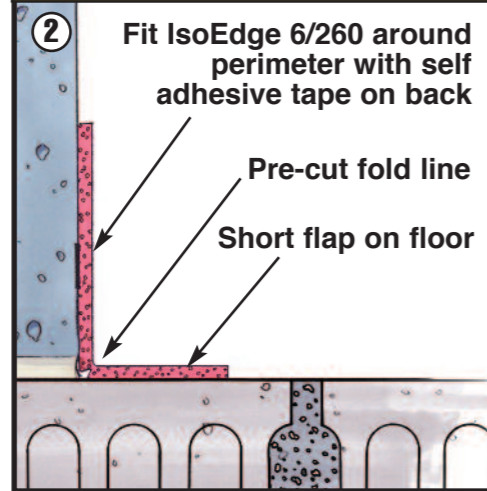
IMPORTANT!!!
The correct fitting of our IsoSonic Edge Strip and Isorubber products is extremely important. Robust Details and CSH applications require an exceptionally high acoustic insulation performance for which it is essential that all the guidance is adhered to and applied with the highest possible standard of workmanship.

ROBUST DETAILS Registration Compliance requires the site supervisory personnel and the screeding team to undertake on-site installation training. Contact Thermal Economics on 01582 544237 to arrange your training.

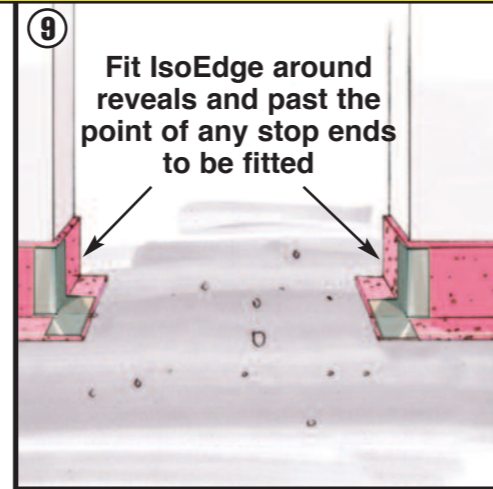
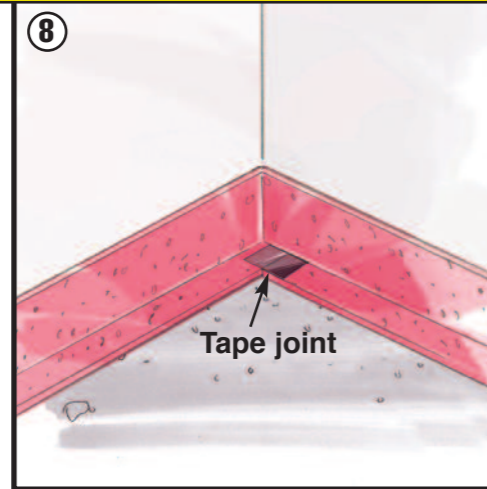
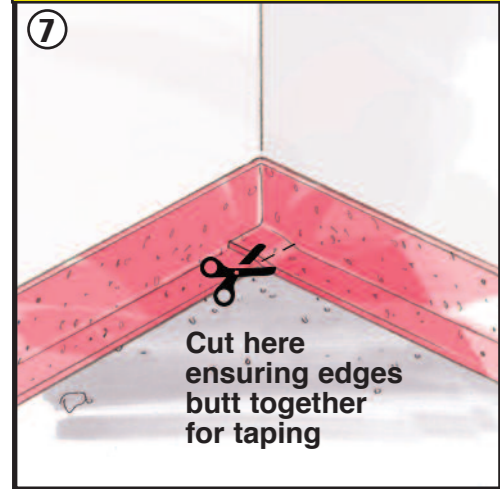
STAGE 1: PREP WORK



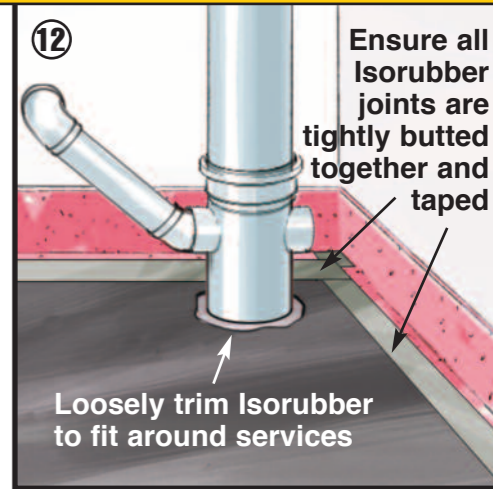
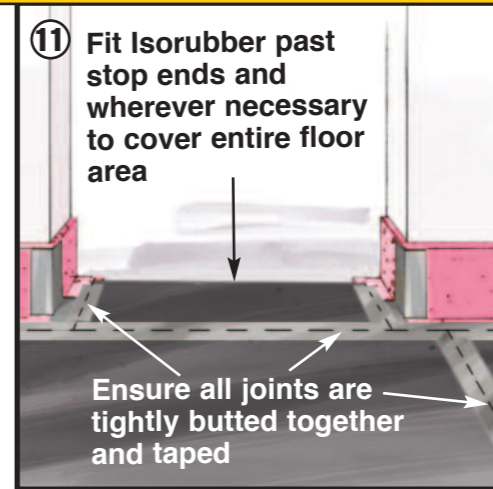
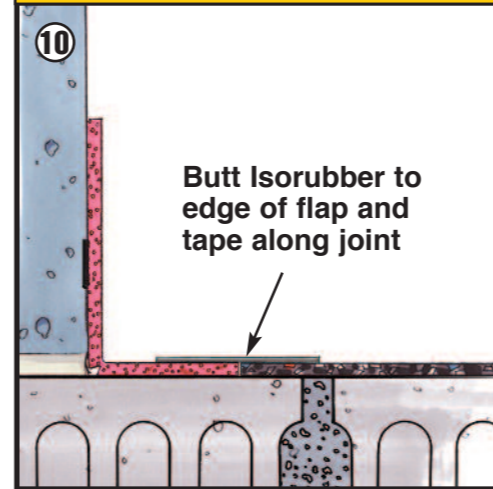
STAGE 2: FITTING ISOEDGE



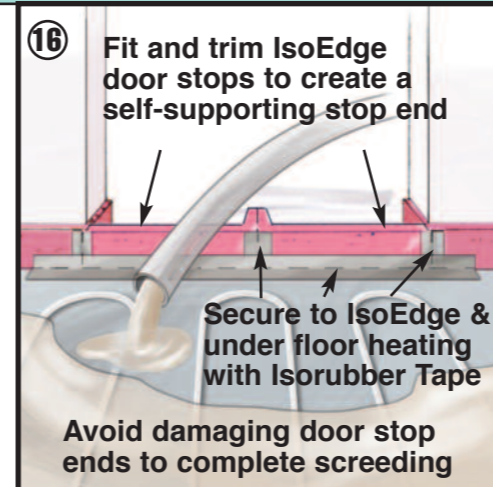
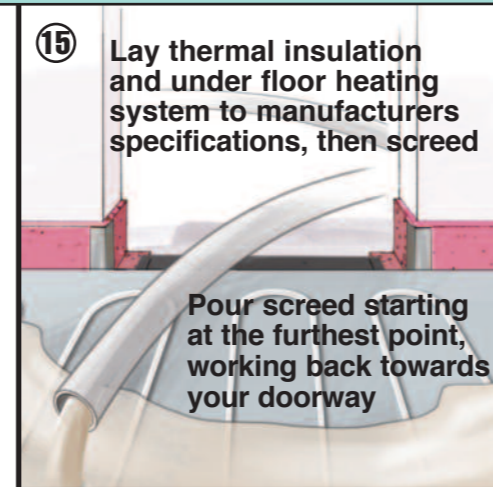
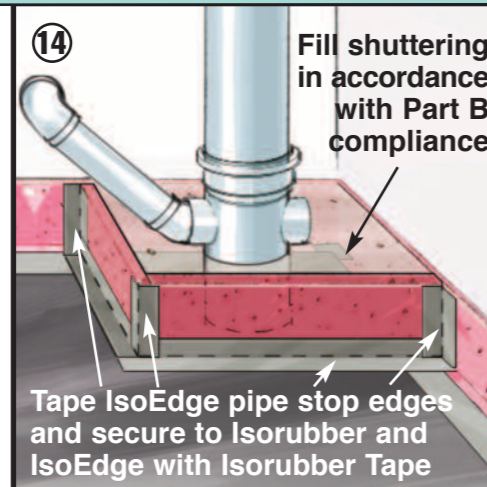
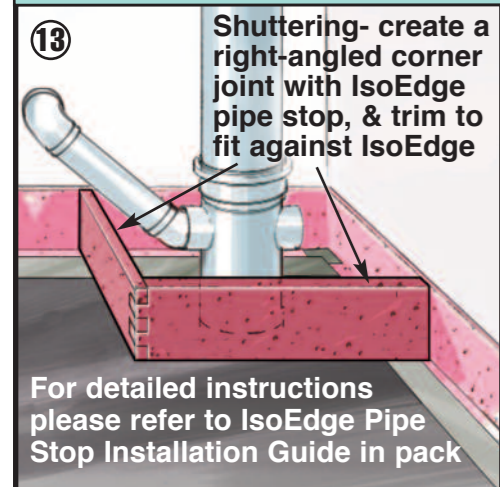
STAGE 2: FITTING ISOEDGE



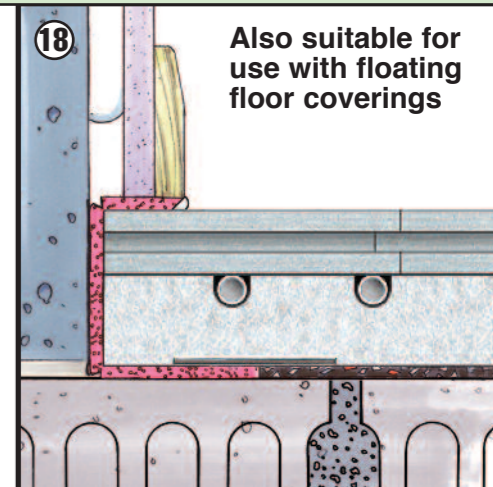
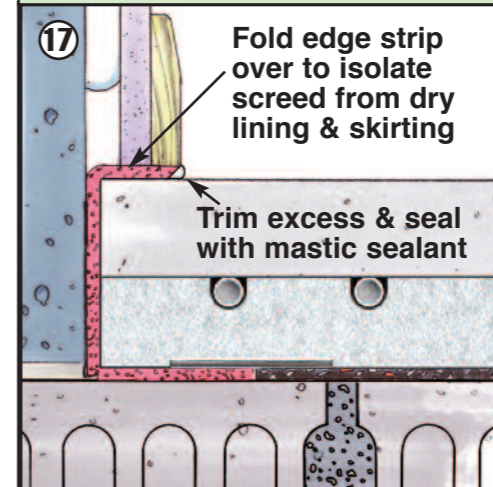
STAGE 3: FITTING ISORUBBER



STAGE 4: ISOLATING SERVICES & DOORWAYS



STAGE 5: DRY LINING



FOR FURTHER INFORMATION CONTACT THERMAL ECONOMICS TECHNICAL DEPARTMENT ON 01582 544255