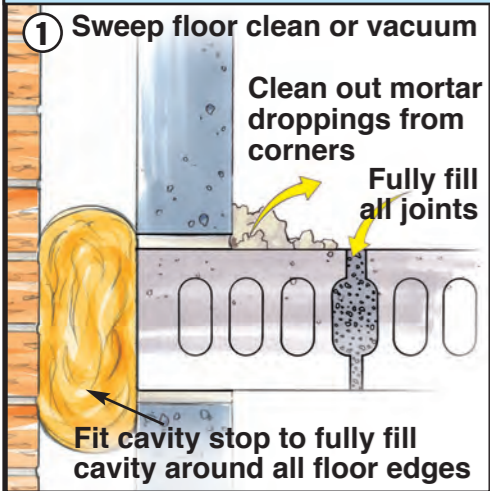


**The fitting of ISOEDGE is simple but IMPORTANT.**  
Omissions and faulty workmanship can lead to REJECTION by the Building Control Body/ Robust Details Ltd and SOUND TEST FAILURES necessitating COSTLY REPAIRS.

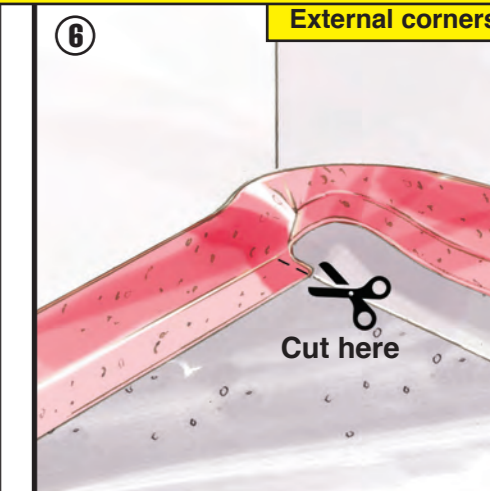
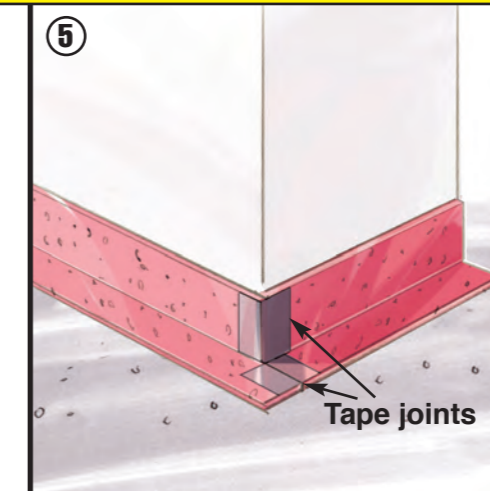
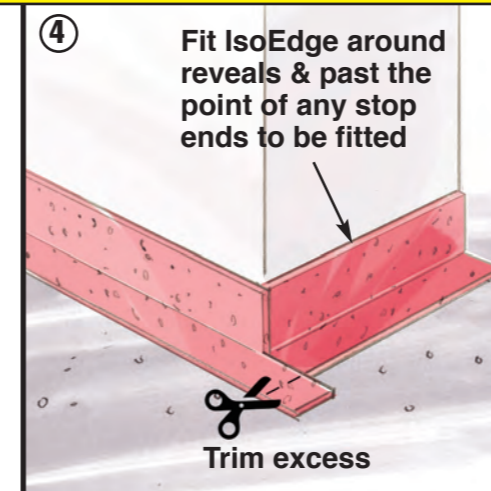
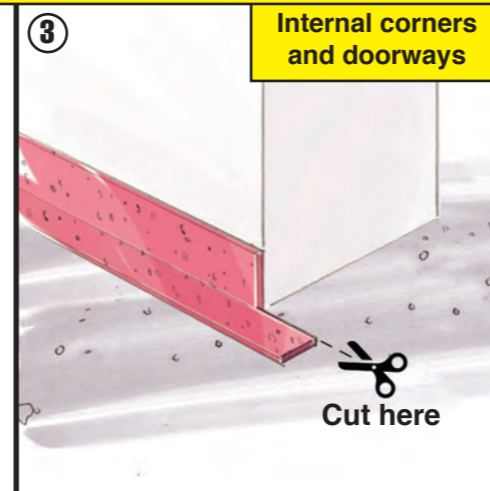
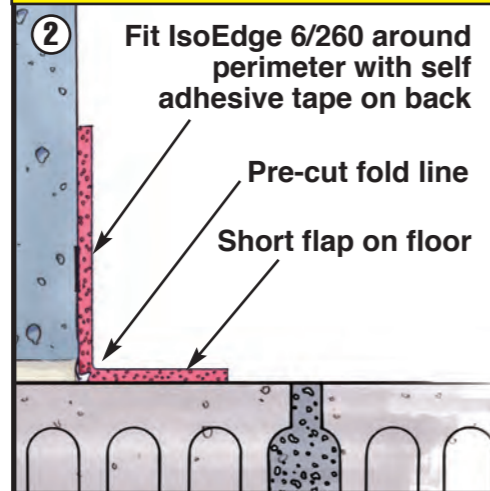
**INCLUDING ISOEDGE PERIMETER INSULATION**

**ROBUST DETAILS** Registration Compliance requires the site supervisory personnel and the screeding team to undertake on-site installation training. Contact Thermal Economics on 01582 544237 to arrange your training.

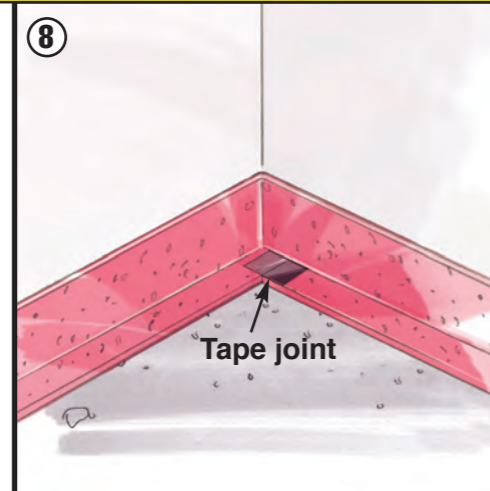
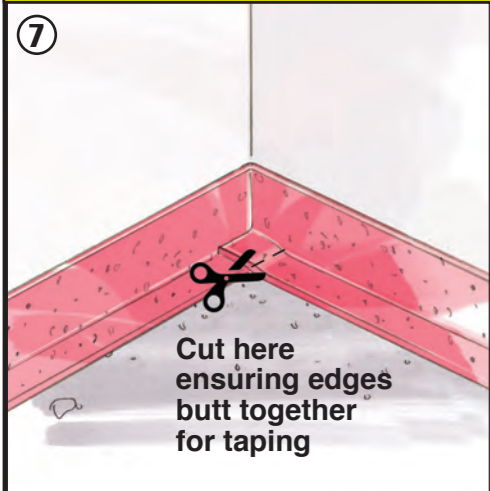
**STAGE 1: PREP WORK**



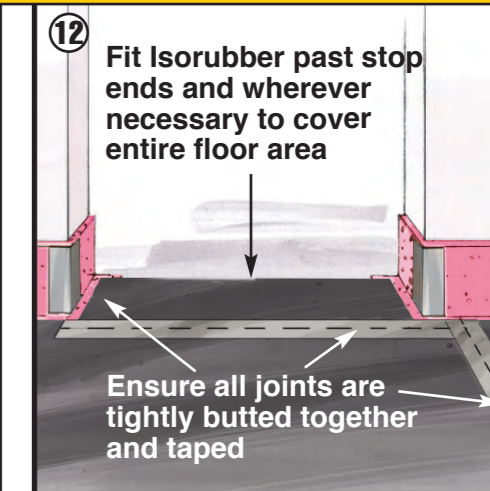
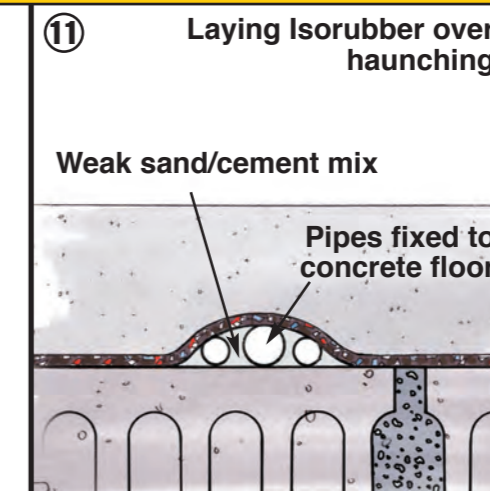
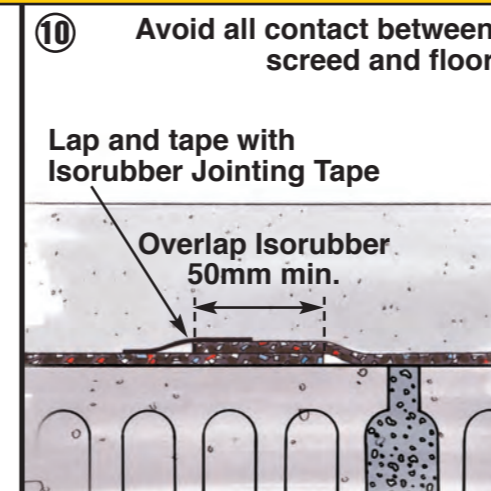
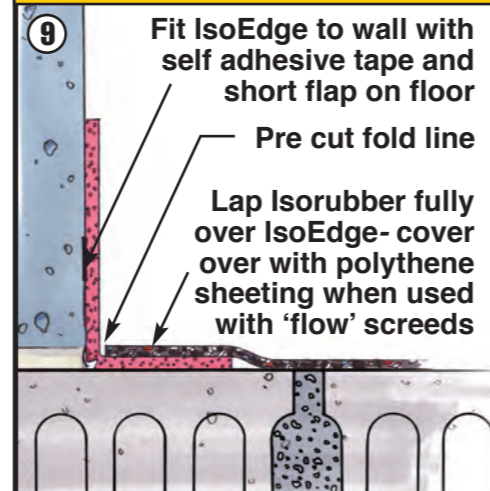
**STAGE 2: FITTING ISOEDGE**



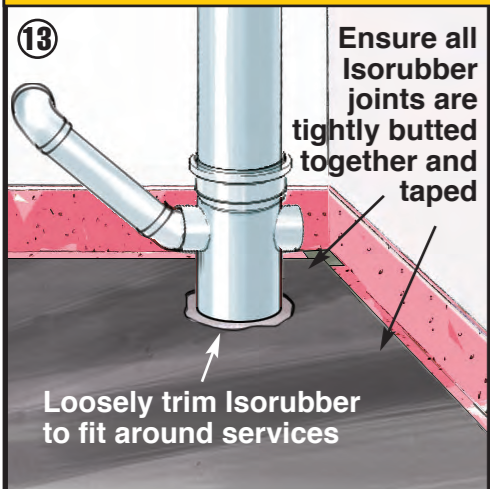
**STAGE 2: FITTING ISOEDGE**



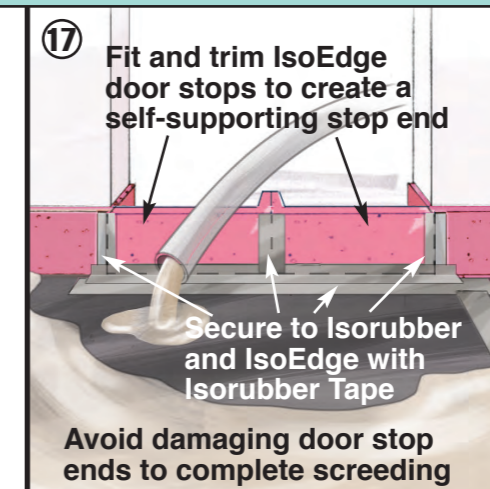
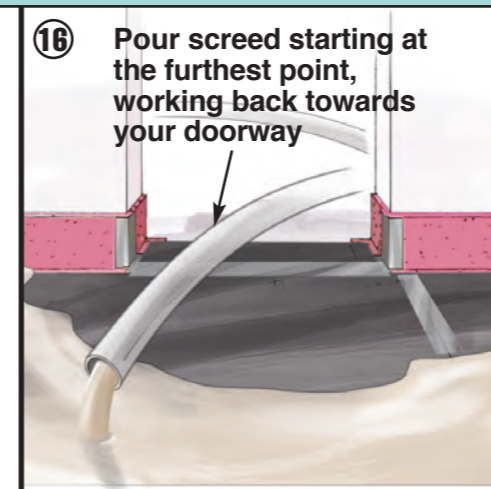
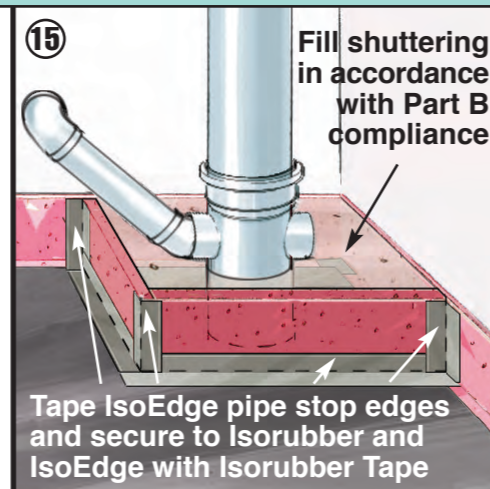
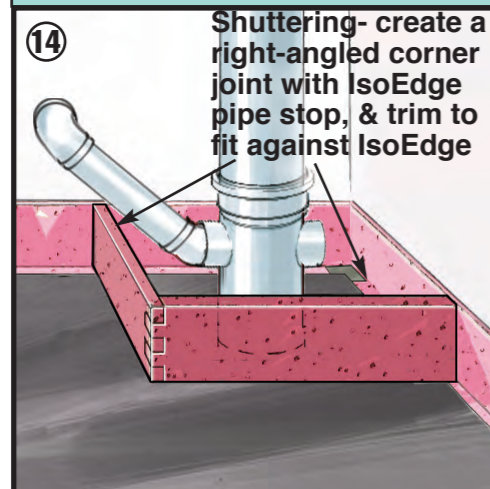
**STAGE 3: FITTING ISORUBBER**



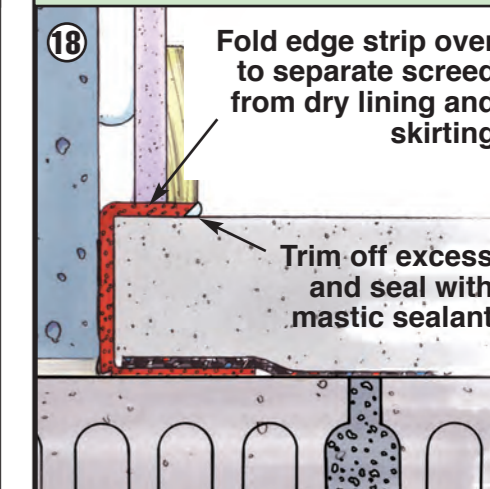
**STAGE 3:**



**STAGE 4: ISOLATING SERVICES & DOORWAYS**



**STAGE 5: DRY LINING**



**FOR FURTHER INFORMATION CONTACT THERMAL ECONOMICS TECHNICAL DEPARTMENT ON 01582 544255**